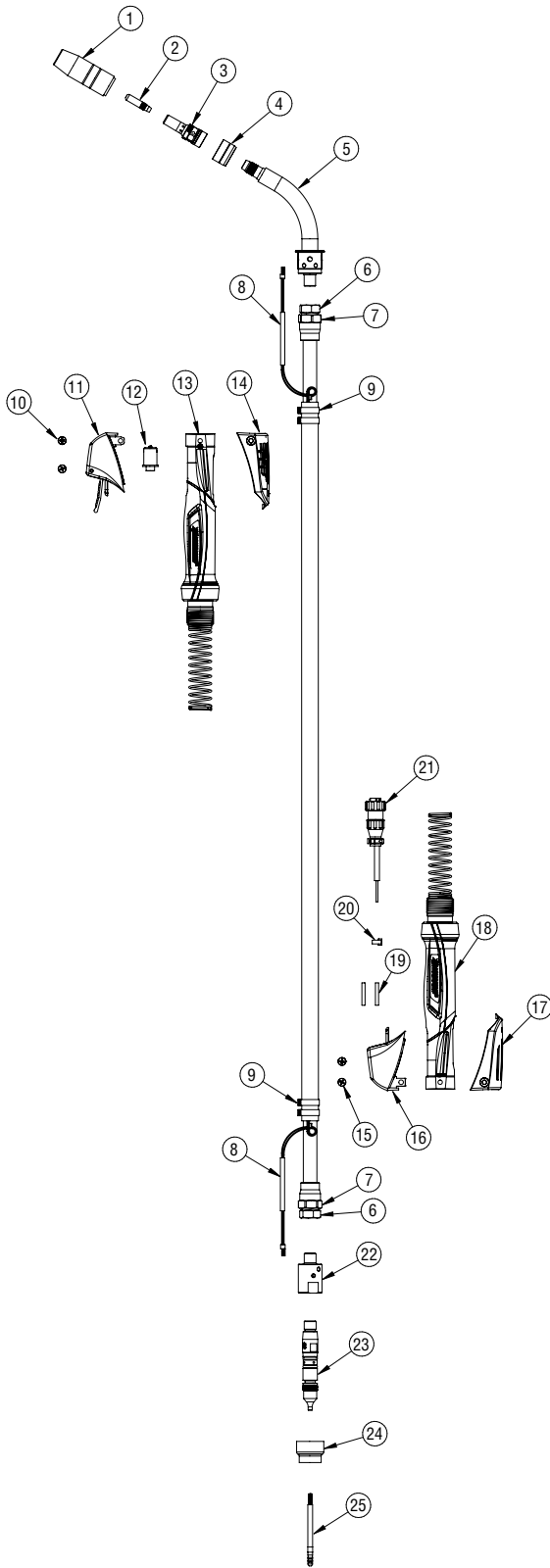


Replacement Parts 400 amp Best of the Best (BTB) MIG Gun with Limited Release New Straight Handle



ITEM #	PART #	DESCRIPTION
	Q4015VS3EML	
1	401-6-62	Nozzle, TOUGH LOCK™ Series, Standard
2	403-20-45-1	Contact Tip, TOUGH LOCK, Standard Duty
3	404-26	Retaining Head, TOUGH LOCK, Standard
4	402-11-1	Neck Insulator, TOUGH LOCK
5	405-60CT-70	Neck
6	408T	End Fitting
7	409	Cone Nut
8	412-1	Switch Connector (2 Req'd)
9	513-1	Jacket Clamp
NS	513-5	Conduit Clamp
NS	1880263	Cable Repair Kit (Includes: (1) #6, (1) #7, (2) #8, (1) #9, (1) Conduit Clamp)
10	2280064	Screw (2 Req'd)
11	269007	Trigger Housing, Standard
12	411-1-70	Switch
13	1780086	Handle
14	1810046	Blank Cover
15	2280064	Screw, Trigger Housing (2 Req'd)
16	2690079	Trigger Control Plug Terminal
17	1810046	Blank Cover
18	1780086	Straight Rear Strain Relief
19	412-2	Butt Connector
20	172565-4	Cable Tie
21	419-4-70	Trigger Control Plug Assembly
22	414-400C	Adaptor
23	214-81-70	Power Pin
24	414-400-20	Power Pin Insulator
25	415-35-15Q	QUICK LOAD™ Liner

Bernard

An Illinois Tool Works Company
 449 West Corning Road, Box 667
 Beecher, Illinois 60401 USA

Phone: 1-855-MIGWELD (644-9353) (US & Canada Only)
 1-519-737-3030 (International)
 Fax: 708-946-6726
 For more information, visit us at BernardWelds.com

